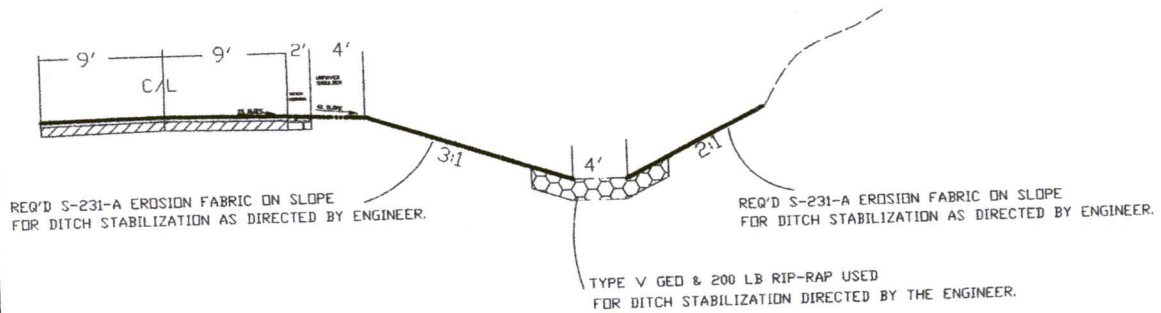


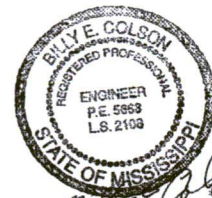
PROFILE C/L DITCH



NOT TO SCALE

GENERAL NOTE:

CONTRACTOR SHALL VERIFY LOCATIONS FOR ALL UTILITIES BEFORE ANY CONSTRUCTION WORK OR GROUND DISTURBANCE. CONTRACTOR SHALL ASSUME ALL RESPONSIBILITY AND LIABILITY FOR ANY DAMAGE TO UTILITIES OR HARM TO PERSONS OR PROPERTY RESULTING FROM CONSTRUCTION WORK IN THE VICINITY OF UTILITIES OR OTHERWISE.



Billy E. Colson
4/17/15

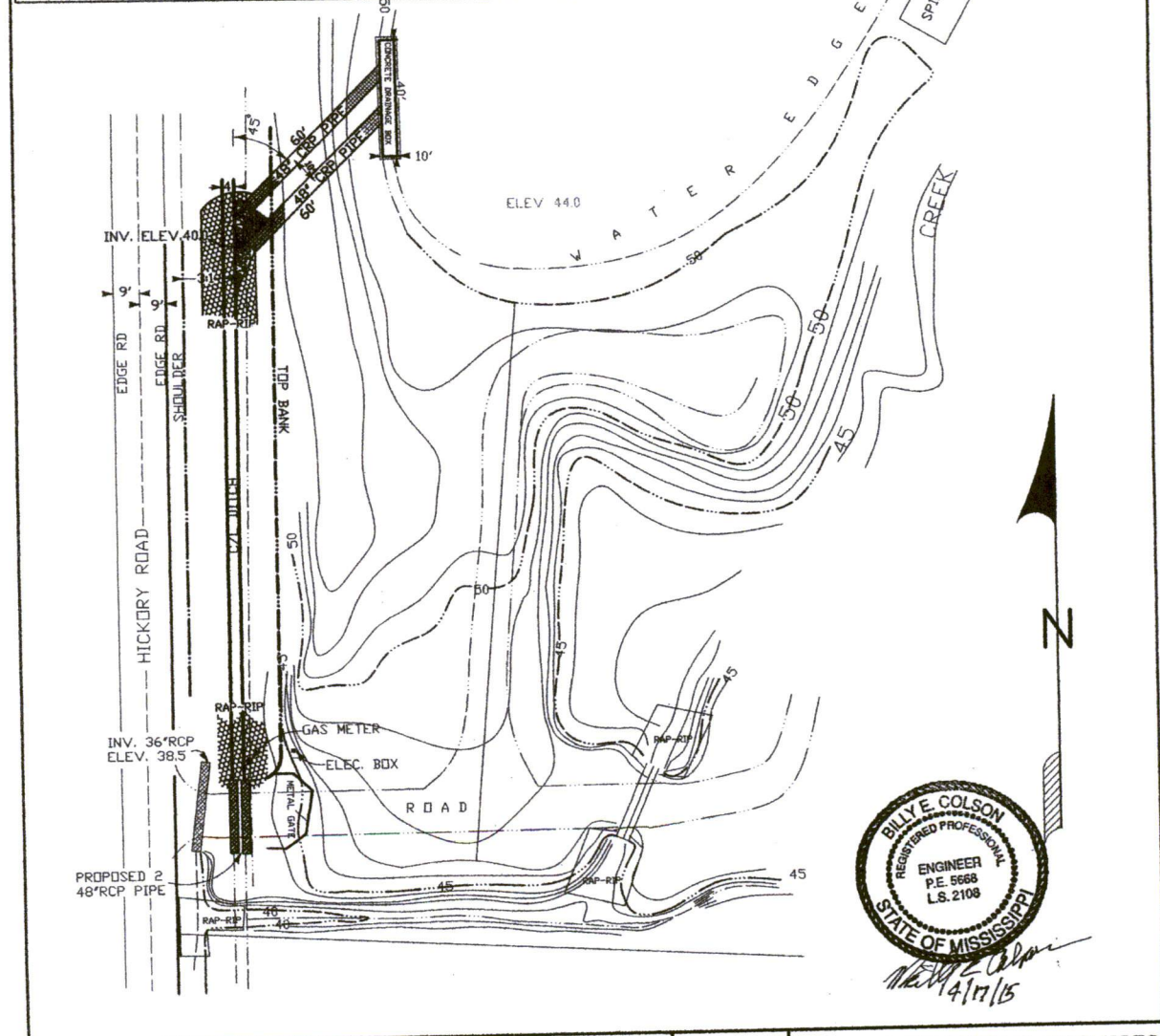
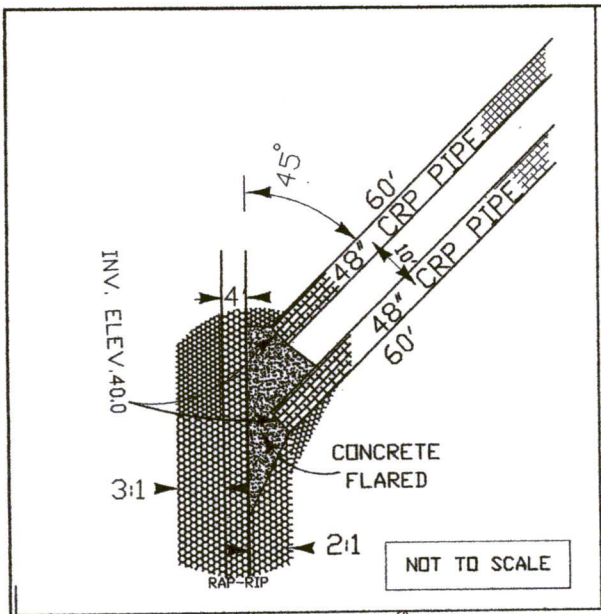
TRIPLETT DITCH
HICKORY ROAD
MADISON CO. MS.

REVISED PLANS
FOR DITCH LOCATION

SHEET 2 OF 2
DATE 4-45-15
SCALE 1' = 40'

JOB NO
AQ1434

AQUA ENGINEERING SERVICES
103C PLANTATION COVE
MADISON, MS.



| | | | | |
|---|-------------------------------------|--|------------------|---|
| TRIPLETT DITCH HICKORY ROAD MADISON CO. MS. | REVISED PLANS FOR DITCH LOCATION | SHEET 1 OF 2 DATE 4-45-15 SCALE 1" = 40' | JOB NO AQ1434 | AQUA ENGINEERING SERVICES 103C PLANTATION COVE MADISON, MS. |
|---|-------------------------------------|--|------------------|---|